

DIMENSIONS FOR BOX-BEAM PADS

PAD	A	B	C	D	*MAXIMUM REACTION	MAXIMUM MOVEMENT (One Direction)
A1	1'-10"	7"	3-0.12" x 21.630" x 6.630"	1.290"	173k	0.500"
A2	1'-10"	7"	5-0.12" x 21.630" x 6.630"	2.090"	173k	0.750"
B1	11"	7"	3-0.12" x 10.630" x 6.630"	1.290"	69k	0.500"
B2	11"	7"	5-0.12" x 10.630" x 6.630"	2.090"	69k	0.750"

* These reactions are based on service loads, use actual reactions to determine anchorage requirements for pads.

GENERAL NOTES

SPECIFICATIONS: Fabricate the Elastomeric Bearing Pads to the design and dimensions as shown on these drawings and to AASHTO LRFD Bridge Construction Specifications, Section 18.

Ensure bearings are low temperature Grade 3 with durometer hardness of 50 and subjected to the load testing requirements corresponding to Design Method A.

Include the price of bearing pads in the bid for the beams.

KENTUCKY DEPARTMENT OF HIGHWAYS
ELASTOMERIC BEARING PADS FOR BOX BEAMS
STANDARD DRAWING NO. BBP-003-02 SUBMITTED BY: <i>[Signature]</i> DIRECTOR DIVISION OF BRIDGE & STRUCTURAL DESIGN APPROVED BY: <i>[Signature]</i> STATE ENGINEER
02-26-20 PAGE

PRECAST PRESTRESSED BOX BEAMS

General Notes

SPECIFICATIONS: All references to the standard Specifications are to the current edition of the Kentucky Department of Highways Standard Specifications for Road and Bridge Construction, with current supplemental specifications. All references to the AASHTO Specifications are to the current edition of the AASHTO LRFD Bridge Design Specifications, with interims.

DESIGN LOADS: Beam sections are designed for 1.25*HL93 (KYHL93) Live Load.

DESIGN LOAD DISTRIBUTION: Contrary to AASHTO LRFD Bridge Design Specifications, the design moment and shear distribution for all beams is 0.5 lanes.

FUTURE WEARING SURFACE: These beams are designed for a 15 PSF future wearing surface load.

SUBSTRUCTURE DESIGN LOADS: Unfactored design reaction forces per beam end.

DC (kips): Beam, Slab (if applicable), and Type II railing dead loads.
 DW (kips): Future wearing surface.
 LL (kips): Beam Live Load reaction per lane x Design load distribution.
 LL+I (kips): LL with Dynamic load allowance.

DESIGN DEFLECTIONS:

Δ_d (in.): Sum of the downwards deflections caused by the design 5" deck, railing, and future wearing surface. (Positive Downwards)
 Δ_c (in.): Upward's midspan camber of the beam caused by prestressing minus the downward deflection of the beam due to self weight. (Positive Upwards)

MATERIAL DESIGN SPECIFICATIONS:

for Steel Reinforcement (Typ. U.N.O.)
 FY = 60000 PSI
 F_C = 7000 PSI
 F_{CI} = 5500 PSI
 F_C = 4000 PSI
 F_S = 270000 PSI

DESIGN LENGTH: Beam lengths shown in the Standards represent total beam length. Use the next greater designed section for non-Standard lengths.

CONSTRUCTION METHOD: Transferring bond stress to the concrete will not be allowed, nor releasing of end anchors until the concrete has attained a minimum compressive strength of F_{CI} as shown by standard cylinders made and cured identically with the girders; attain F_C at or prior to 28 days. Apply an initial prestress force of 33817 lbs. per low relaxation strand. Beams with honeycomb of such extent as to affect the strength of resistance to deterioration will not be accepted. The allowance of .0005L (length) is made for shortening of beams due to shrinkage and elastic change. Furnish shop plans showing a shortening plan by numbering, in sequence, the strand pattern.

PRESTRESSING STRANDS: Ensure prestressing strands to be 1/2" oversize (0.167 sq. in.) uncoated seven-wire stress relieved, low-relaxation strands conforming to AASHTO M 203, Grade 270. If an alternate strand arrangement or strand type is preferred by the Contractor, the designer that developed the original plans will provide the design and also revise the original plans to reflect the changes. These design and plan modifications will be done at the Contractor's expense.

CORROSION INHIBITOR: Provide a corrosion inhibitor for B-type (non-composite) beams from the list of approved materials.

BEVELED EDGES: Bevel all exposed edges 3/4".

BEAM SEALER: For composite box beams (CB Beams), seal the full length of the exterior face of all exterior beams with the extent from the top of the beam to 1'-0" underneath the beam. For non-composite box beams (B-beams), seal all faces of all beams, except take care to ensure the grout pockets are not sealed. Use an approved silane sealer as specified by the Division of Structural Design.

REINFORCEMENT: Dimensions shown from the face of concrete to reinforcement are clear distances. Spacing of reinforcement is from center to center of reinforcement. All steel reinforcement is to be epoxy coated in accordance with Section 811.10 of the Specifications. Consider bars marked "C" to be a stirrup for purposes of bend diameters. Non-epoxy reinforcement may be used for fabrication purposes, only, provided that the steel is not used in the top 5 1/2" of the beam and the location of the steel is indicated on the shop drawings.

FABRICATION: Beams shall not be fabricated more than 120 days before the deck is to be poured.

GROUT: Provide non-shrink grout for anchor dowels, shear keys, and tensioning rod blocks conforming with Section 601.03.03 of the Specifications. When side by side superstructure is utilized, grouting will be completed after lateral tension rods have been fully tightened and before leveling devices have been removed. Include the cost of furnishing and placing grout in the price of beam.

RAILING SYSTEM TYPE II: Furnish this material per these specifications.

ITEM	DESCRIPTION	MATERIAL SPECIFICATION	COATING SPECIFICATION
Post	W6x25	ASTM A36 or A572	A123
Chanel	C7x9.8	ASTM A36 or A572	A123
Plate	1/2"x 7"	ASTM A36 or A572	A123
Tubing	8x4x0.1875	ASTM A500 or A501	A123
Bolts	3/8"	ASTM A307	A153
Nuts	For 3/8"	ASTM A563, Grade A or better	A153
Washers	For 3/8"	ASTM A563, Grade A or better	A153
Stud	1 1/4"	ASTM A108 (1045 C.D. Bar)	B633, Type II, Class 25
Ferrule	2 1/2" x 5"	ASTM A108 (11L17 Steel)	B633, Type II, Class 25
Wire	3/8"	ASTM A510 (1018 Steel)	B633, Type II, Class 25
Nut	For 1 1/4" Bolt	ASTM A108 (12L14 Steel)	B633, Type II, Class 25
Nut	For 1 1/4" Stud	ASTM A325M	B633, Type II, Class 25
Washers	For 1 1/4" Stud	ASTM A325M	B633, Type II, Class 25

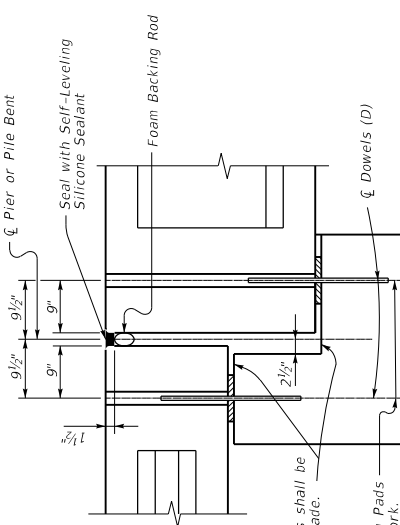
<p>Use the current edition of the references listed below with these standards.</p>	
STANDARD DRAWINGS	
BBP-003	Elastomeric Bearing Pads
BHS-007	Railing System Type II
BJE-001	Armored Edge & Neoprene Joints
RBR-001	Steel Beam Guardrail
RBR-005	Guardrail Components
SPECIAL NOTES	
For Corrosion Inhibitors	

KENTUCKY
 DEPARTMENT OF HIGHWAYS

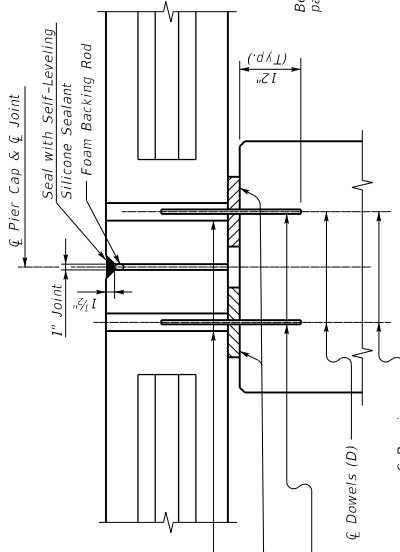
BOX BEAM
 GENERAL NOTES
 AND REFERENCES

STANDARD DRAWING NO. BDP-001-06
 SUBMITTED BY: [Signature]
 DIRECTOR OF HIGHWAYS
 APPROVED BY: [Signature]
 STATE ENGINEER

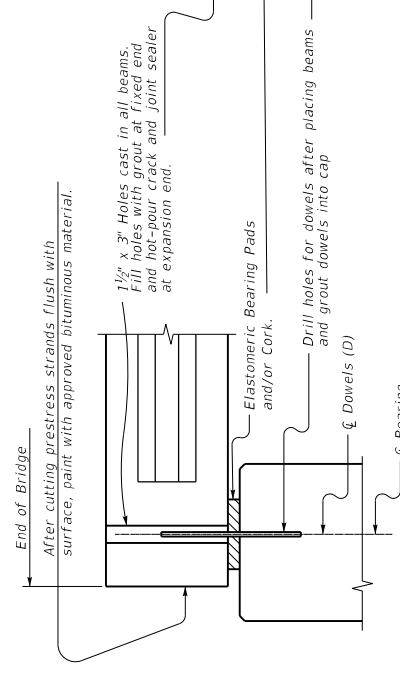
02-26-20
 02-26-20



STEPPED PIER OR PILE BENT
 (Showing Location & Placement of Box Beams)

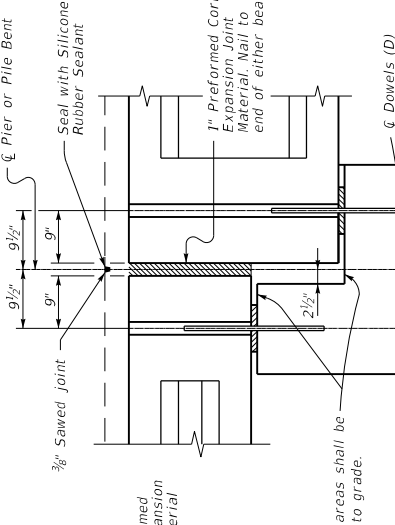


PIER OR PILE BENT

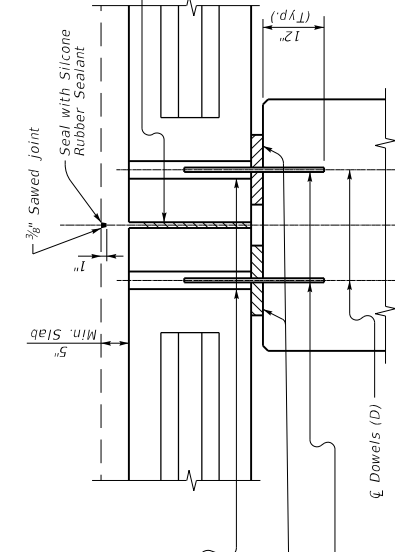


ABUTMENT OR END BENT

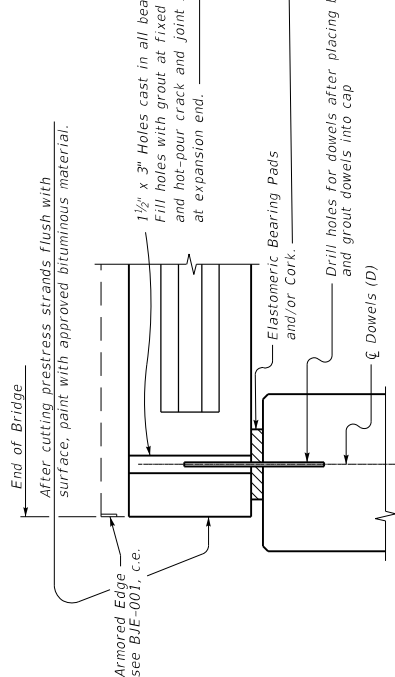
TYPICAL BEARING DETAILS (NON-COMPOSITE)



PIER OR PILE BENT



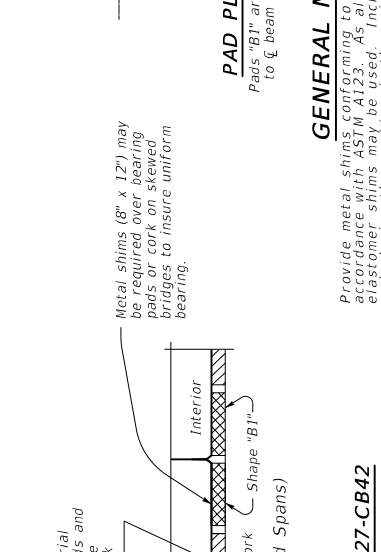
PIER OR PILE BENT



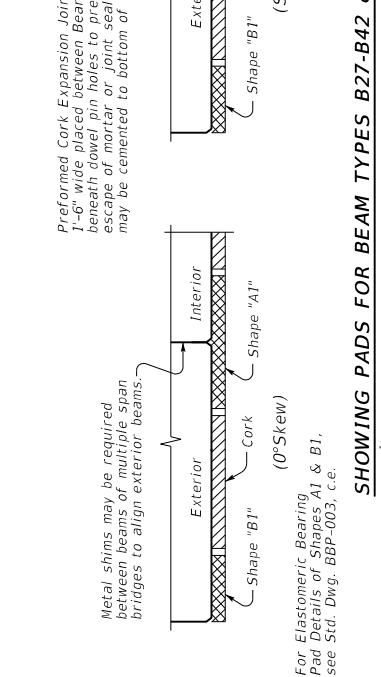
ABUTMENT OR END BENT

TYPICAL BEARING DETAILS (COMPOSITE)

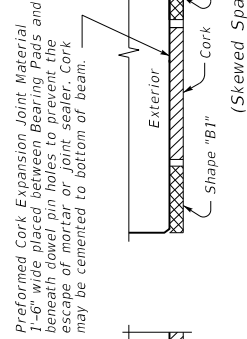
STEPPED PIER OR PILE BENT
 (Showing Location & Placement of Box Beams)



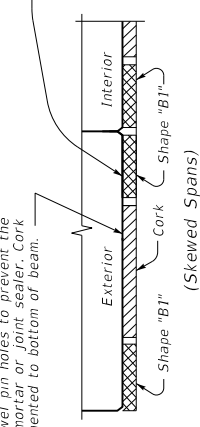
PIER OR PILE BENT



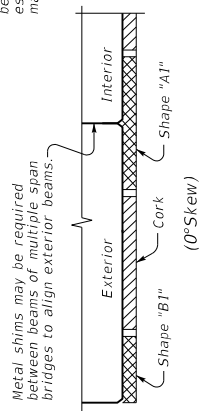
PIER OR PILE BENT



PAD PLACEMENT FOR SKEWS
 Pads "B1" are to always be placed perpendicular to $\bar{\xi}$ beam with center of pad over $\bar{\xi}$ bearing.



(Skewed Spans)



(0° Skew)

Preformed Cork Expansion Joint Material 1-6" wide placed between Bearing Pads and beneath dowel pin holes to prevent the escape of mortar or joint sealer. Cork may be cemented to bottom of beam.

Metal shims may be required between beams of multiple span bridges to align exterior beams.

For Elastomeric Bearing Pad Details of Shapes A1 & B1, see Std. Dwg. BBP-003, c.e.

GENERAL NOTES

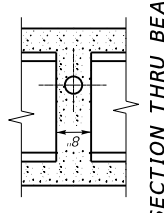
Provide metal shims conforming to ASTM A36 and galvanize in accordance with ASTM A123. As alternates, cork, polymer, or elastomer shims may be used. Include the cost of furnishing and placing these shims in the price per beam.

SHOWING PADS FOR BEAM TYPES B27-B42 & CB27-CB42

Use 1/2" x 1-6" preformed cork for beam types B12-B21 & CB12-CB21 for bearing.

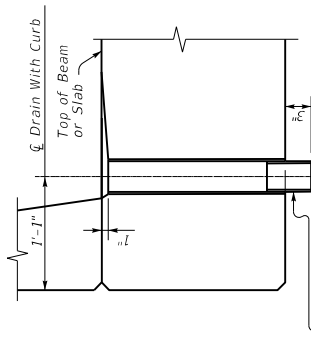
KENTUCKY
 DEPARTMENT OF HIGHWAYS
 BOX BEAM
 BEARING
 DETAILS

STANDARD DRAWING NO. BDP-002-03
 SUBMITTED FOR REVIEW BY DATE
 APPROVED BY DATE

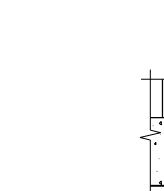


Diaphragms may be omitted if void is cut to allow drain to be encased with a minimum 2" of concrete.

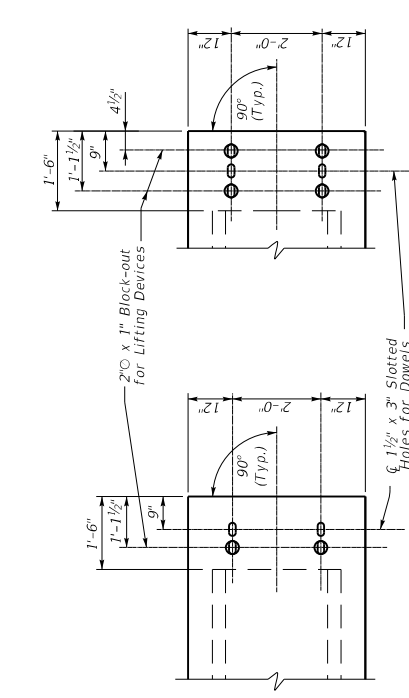
Provide drains on both sides of bridge with normal crown and on low side only for super-elevated bridges. Space drains at maximum 12'-6" on centers with a minimum of one placed each gutter line per span. Omit drains when span crosses over a highway or road. Include the cost of pipe and fittings in the price of beam.



TOP VIEW OF DRAIN
DRAIN DETAILS
(For Spans With Curbs)

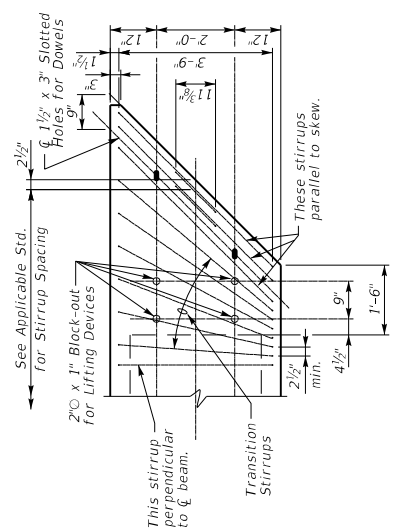


VOID DRAIN DETAIL
Locate two drains at each end of each void. Provide 1" O drains or a type approved by the Division of Materials.

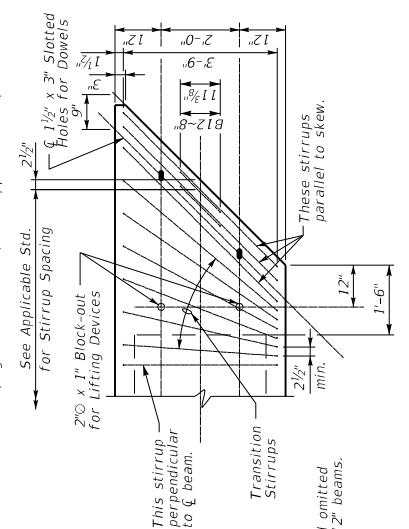


TYPICAL STRAIGHT END
50 ft. or Under
Over 50 ft.

NOTE: Void omitted on 12' beams.

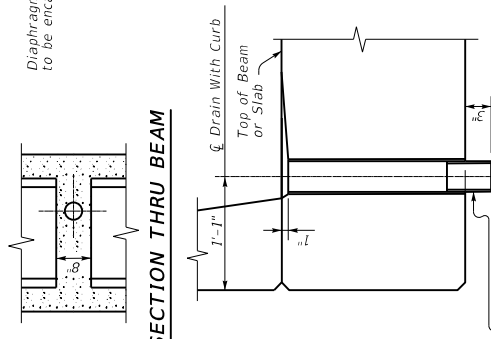


TYPICAL SKEWED END FOR BEAMS OVER 50 FEET
(Right Skew Shown, Left Opposite Hand)



TYPICAL SKEWED END FOR BEAMS 50 FEET OR LESS
(Right Skew Shown, Left Opposite Hand)

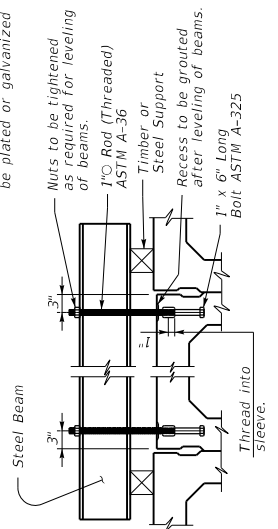
NOTE: Void omitted on 12' beams.



SECTION THRU DRAIN
EXTERIOR BOX BEAM
(Showing coupling in barrier)

NPS Designation 4 Standard coupling and nipple in accordance with ASTM A53. Nipple to be installed in field.

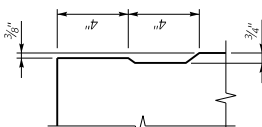
NOTE: Inserts are to be plated or galvanized



LEVELING DEVICE DETAILS

Locate inserts at the center of beams up to 50 ft. and at diaphragm locations of beams over 50 ft. Include the cost of materials and labor involved in leveling beams in the price of beams. Submit alternate leveling devices to the Division of Bridge Design for approval.

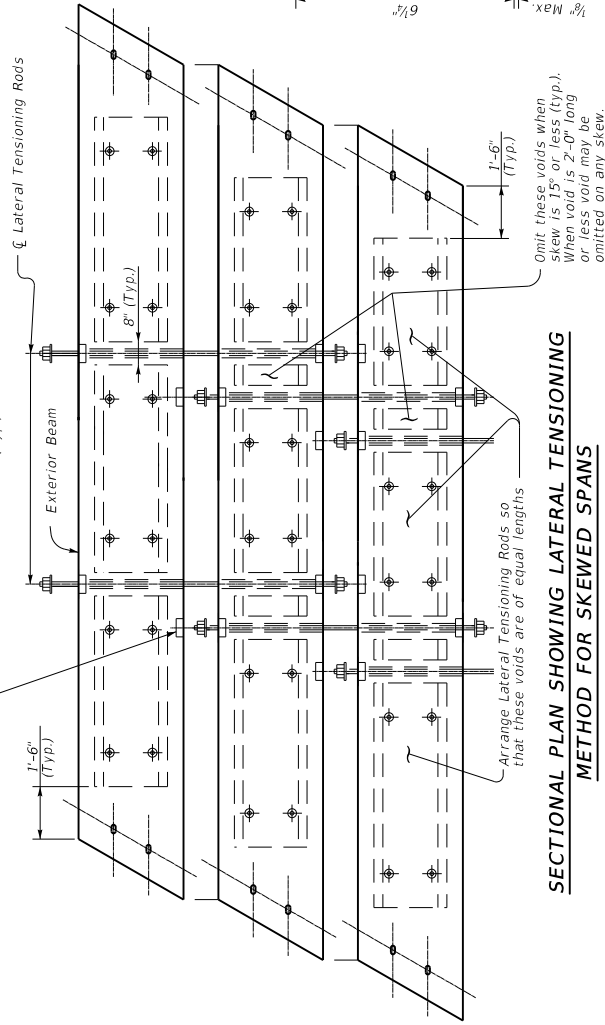
NOTE: Omit shear key on exterior face of exterior beam.



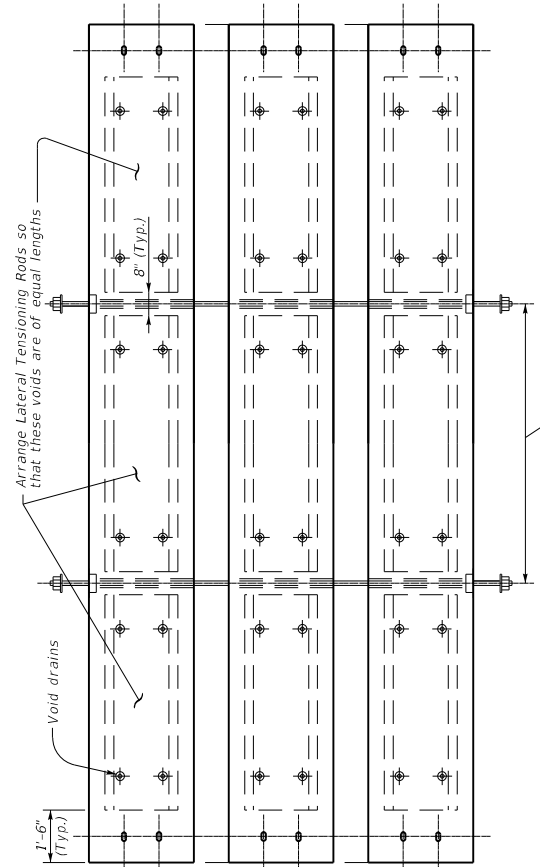
SHEAR KEY DETAIL

GENERAL NOTES

LATERAL TENSIONING RODS: After the deck units are in place, apply a preliminary tension to the lateral tensioning rods. Perform final tensioning that yields 20,000 psi as developed by a torque of 200 ft.-lbs. Provide lateral tensioning rods and plates conforming to ASTM A36 with heavy hex nuts conforming to ASTM A307. All tension rods, plates, and nuts to be galvanized in accordance with ASTM A123 or A153 as applicable.

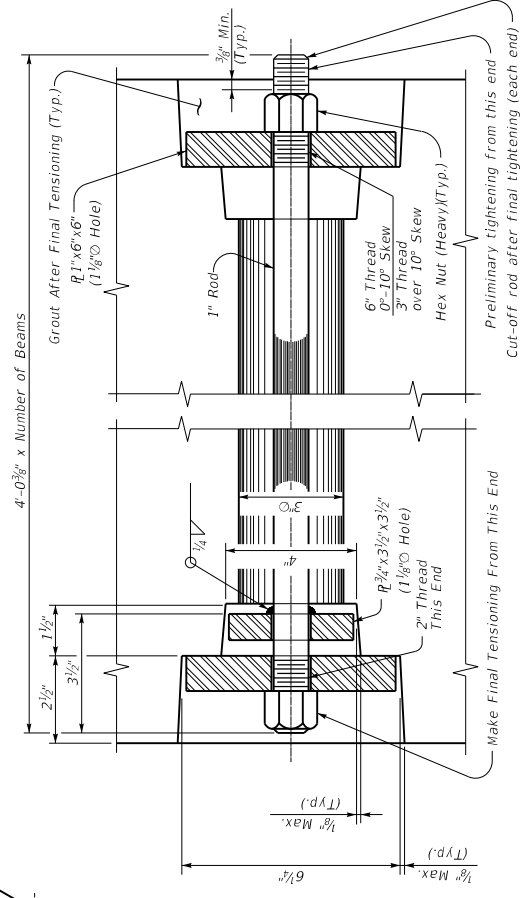


SECTIONAL PLAN SHOWING LATERAL TENSIONING METHOD FOR SKEWED SPANS

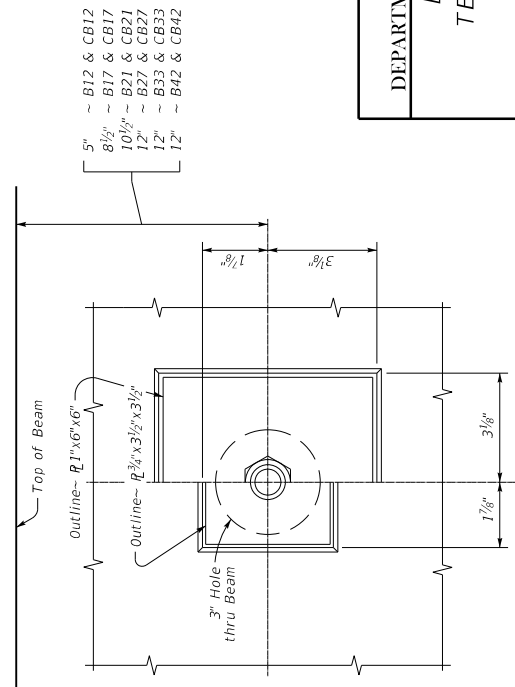


SECTIONAL PLAN SHOWING LATERAL TENSIONING METHOD FOR STRAIGHT SPANS

(The above arrangement is applicable from 0° skews to and including 10° skews)

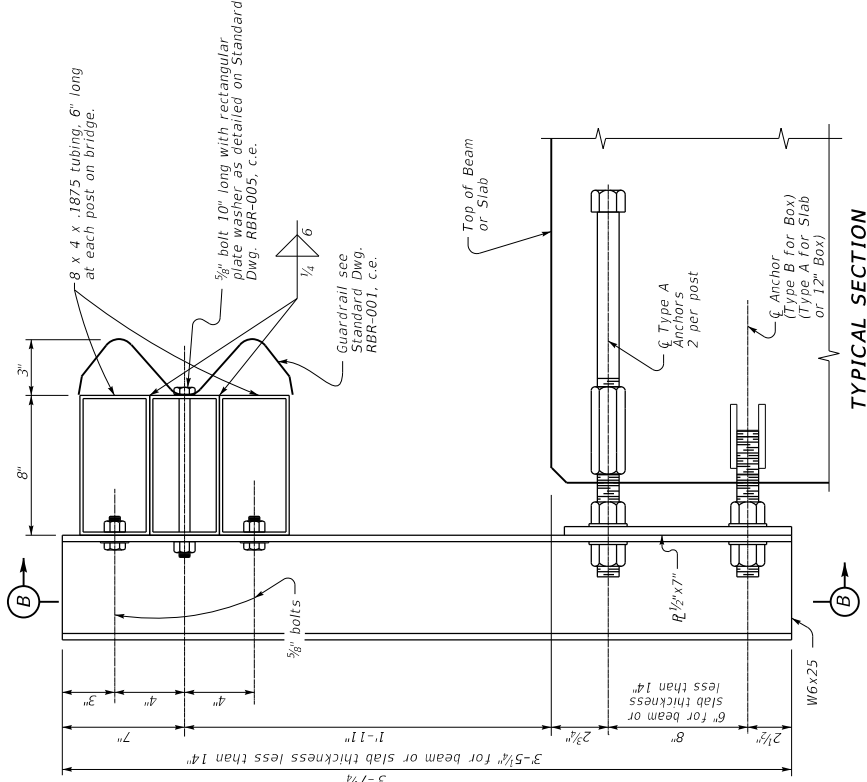


SECTION THRU LATERAL TENSIONING ROD



SECTIONAL END PLAN
(Lateral Tension Rod Details)

KENTUCKY DEPARTMENT OF HIGHWAYS
BOX BEAM TENSION ROD DETAILS
STANDARD DRAWING NO. BDP-004-04 SUBMITTED BY: [Signature] APPROVED BY: [Signature] DATE: 02-26-20



Holes in post Width 1 1/2" x height 1 1/2" @ 4" o.c.

Attach guardrail between these limits to the beams before shipment for Non-Composite Box Beam applications

Ad just space to fit span length but equal to or less than 6'-3"

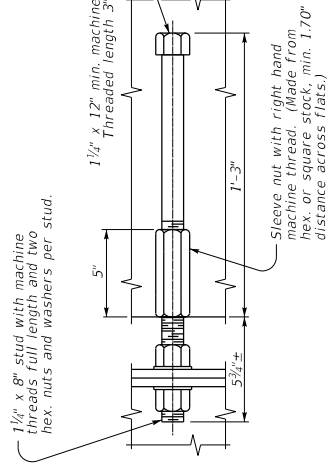
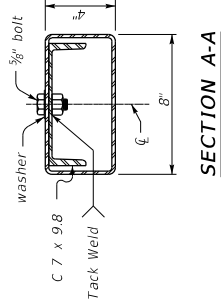
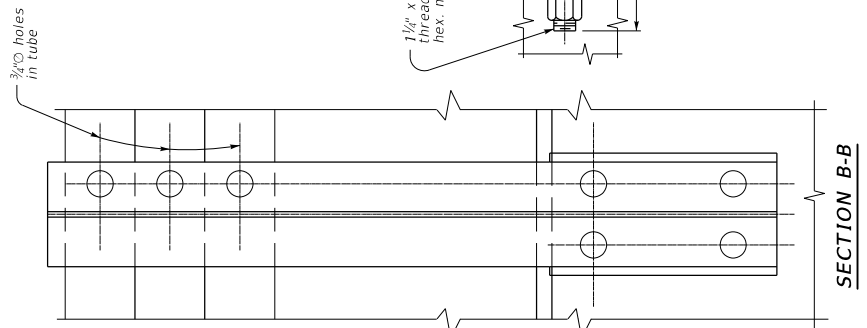
Remainder of Post Spacing At 6'-3"

End of Bridge

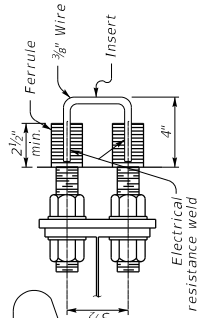
First post shall clear abutment by 3".

Post Spacing

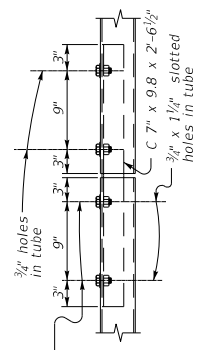
Note: Connect bridge guardrail to Roadway Guardrail, refer to Std. Dwg. BHS-007, C.E.



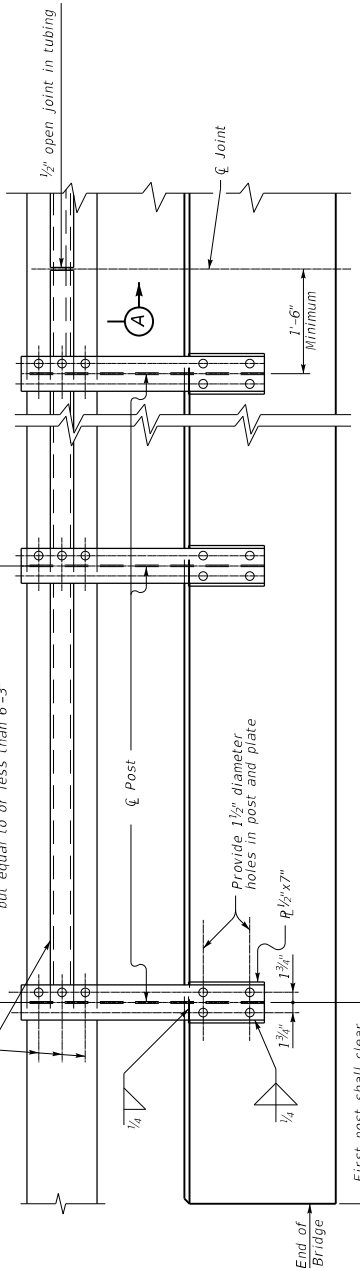
TYPE A ANCHOR DETAIL



TYPE B ANCHOR DETAIL



Allow sliding between the tube and channel when tightening bolts in slotted holes.

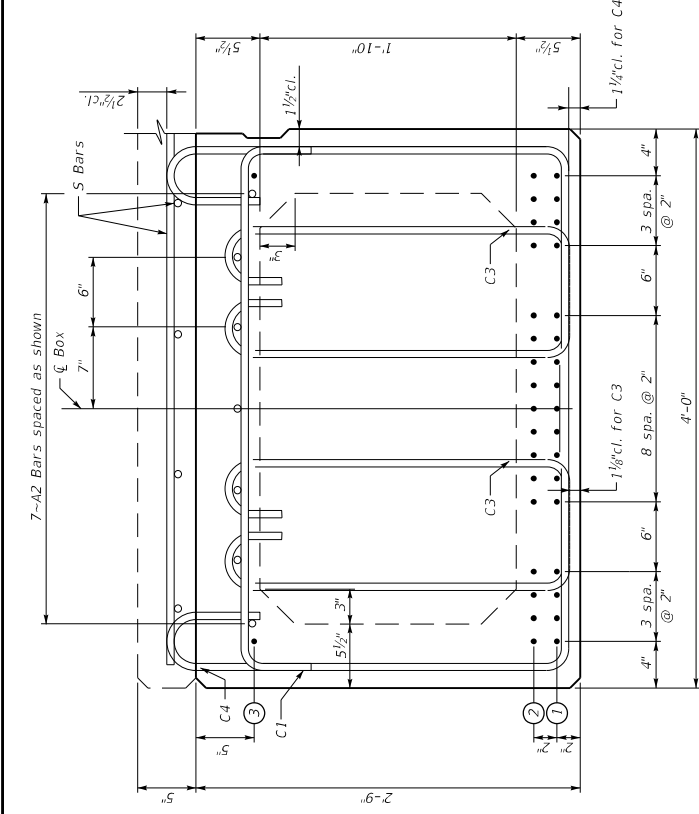


GUARDRAIL ELEVATION

TABLE OF STRAND DATA			
Beam Type	Beam Length (feet)	Number of Strands Required	Row
B33	66	17	5
	68	17	6
	70	17	7
	72	17	8
	74	17	10
	76	17	11
	78	17	12
CB33	74	17	9
	76	17	10
	78	17	11
	80	17	13
	82	17	14
	84	17	15

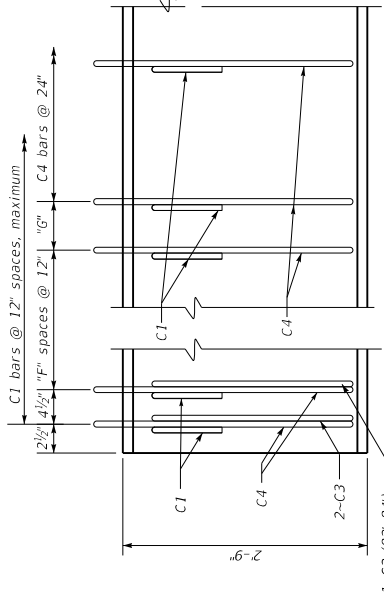
TABLE OF DIMENSION DATA			
Beam Type	Beam Length (feet)	"F" "G"	
B33	66	5	17"
	68	5	18"
	70	6	15"
	72	6	16"
	74	6	17"
	76	6	18"
	78	6	19"
CB33	74	7	17"
	76	8	17"
	78	8	17"
	80	8	17"
	82	8	17"
	84	8	17"

BAR QUANTITIES TABLE										
Beam Type	Beam Length (feet)	C1	C2	C3	C4	DC	DW	LL	LL+I	Δc
		Beams	Beams	Beams	Beams	kips	kips	kips	kips	(ft.)
B33	66	133	42	4	28.4	1.9	51.6	64.3		
	68	137	43	4	29.3	1.9	52.2	65.0		
	70	141	45	4	30.2	2.0	52.8	65.6		
	72	145	46	4	31.0	2.0	53.3	66.2		
	74	149	47	4	31.9	2.1	53.9	66.8		
	76	153	48	4	32.7	2.2	54.4	67.5		
	78	157	49	4	33.6	2.2	55.0	68.0		
CB33	74	72	73	4	46	40.0	2.0	53.3	66.2	0.4
	76	77	4	47	41.1	2.1	53.9	66.8	0.4	1.2
	78	79	4	49	42.2	2.2	54.4	67.5	0.5	1.3
	80	81	4	50	43.3	2.2	55.0	68.0	0.5	1.4
	82	83	6	51	44.4	2.3	55.5	68.6	0.6	1.5
	84	85	6	52	45.5	2.3	56.1	69.2	0.6	1.4
			6	53	46.6	2.4	56.6	69.8	0.7	1.5



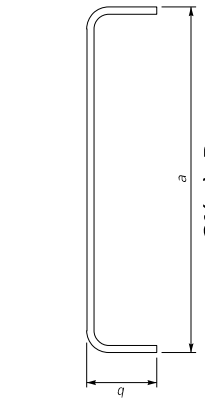
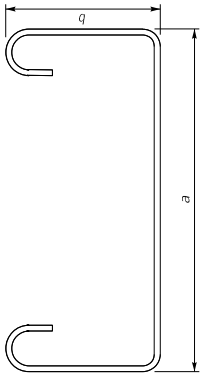
B33 BEAM

CB33 BEAM



B33 ELEVATION OF 0° SKEW
(Refer to BDP-003.c.e. for skewed details)

CB33 ELEVATION OF 0° SKEW
(Refer to BDP-003.c.e. for skewed details)



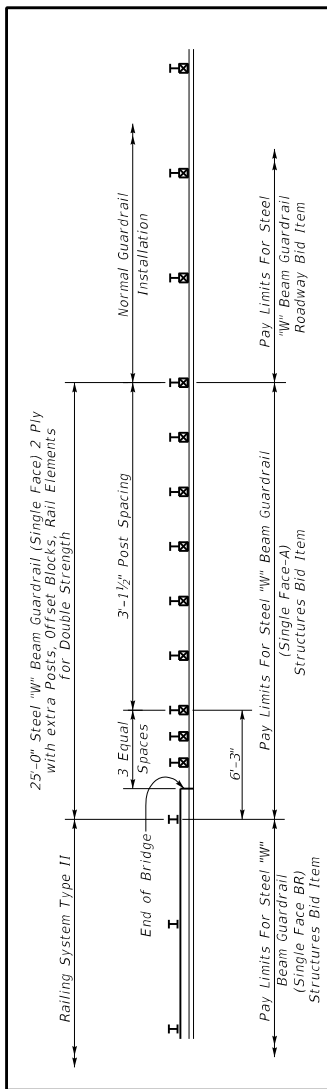
Straight Reinforcement

Mark	Size	Length
A1(E)	#5	Beam Length Minus 3"
A2(E)	#4	Beam Length Minus 3"
D1(E)	#8	2'-0"

NOTE: A1 and A2 bars are to be lapped 2'-2" when necessary.

Bent Reinforcement

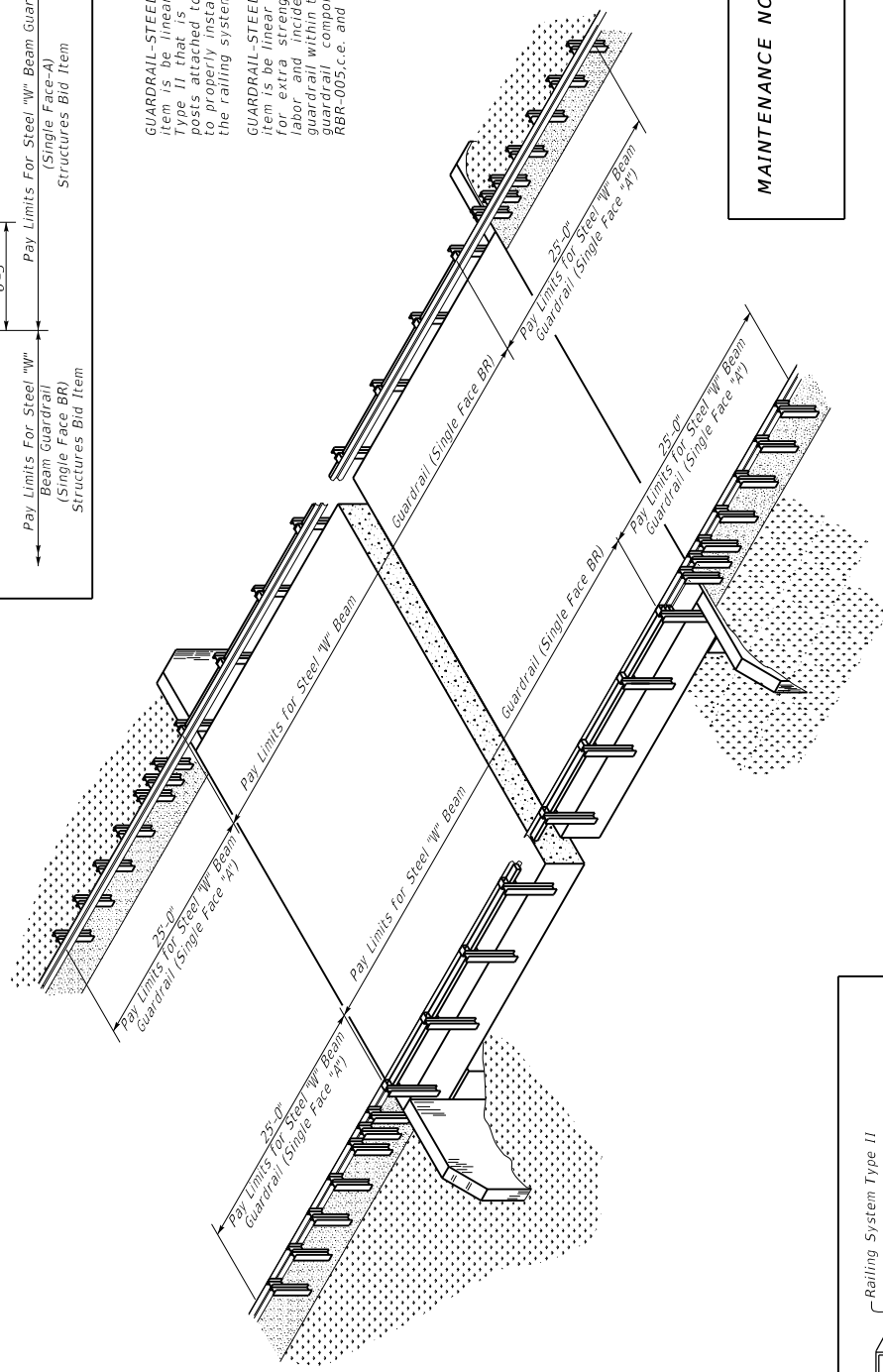
Mark	Size	a	b
C1(e)	#5	3'-9"	6"
C2(e)	#4	3'-9"	2'-5 1/4"
C3(e)	#5	11 3/8"	2'-5 3/4"
C4(e)	#4	3'-9"	2'-10 1/4"



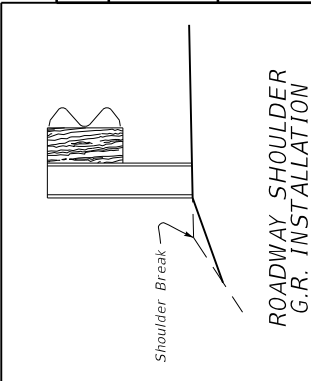
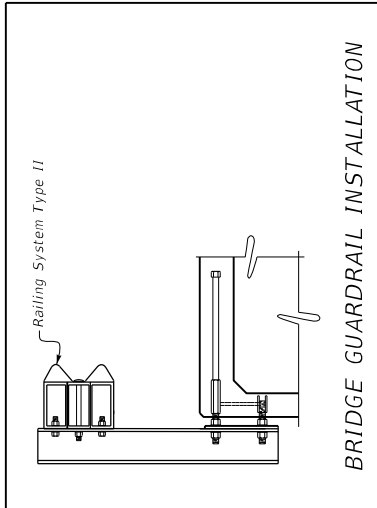
BID ITEM NOTES

GUARDRAIL-STEEL W BEAM (SINGLE FACE BR): The bid unit for this item is the linear feet. This item shall include the Railing System Type II that is to be installed on the bridge between the endmost posts attached to the bridge and all labor and incidentals necessary to properly install the railing system. For non-composite box beams, the railing system is attached to the beam prior to shipment.

GUARDRAIL-STEEL W BEAM (SINGLE FACE A): The bid unit for this item is the linear feet. This item includes the W-Beam Guardrail (2 ply for extra strength), guardrail posts, offset blocks, hardware, and labor and incidentals necessary to properly install the approach guardrail with components. Limits at each corner of the structure. Refer to Standard Drawings RBR-001.c.e., RBR-005.c.e. and RBR-015.c.e.



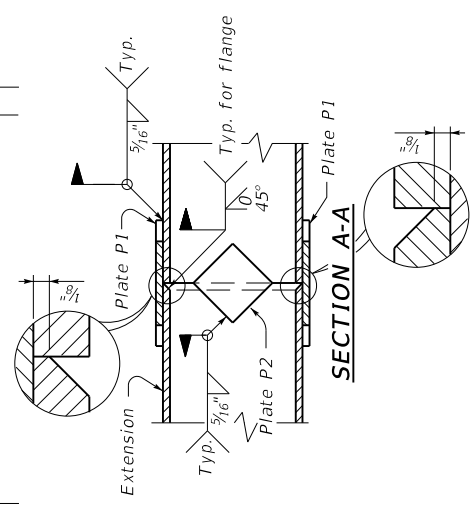
MAINTENANCE NOTES:



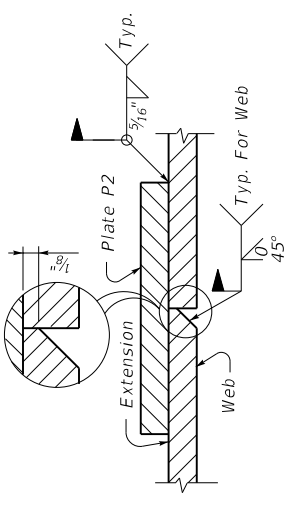
KENTUCKY DEPARTMENT OF HIGHWAYS
RAILING SYSTEM TYPE II
GUARDRAIL TREATMENT
STANDARD DRAWING NO. BHS-007-08
SUBMITTED BY: <i>[Signature]</i> DIRECTOR OF HIGHWAYS, CENTRAL DISTRICT
APPROVED BY: <i>[Signature]</i> STATE HIGHWAY ENGINEER
DATE: 02-26-20
DATE: 02-26-20



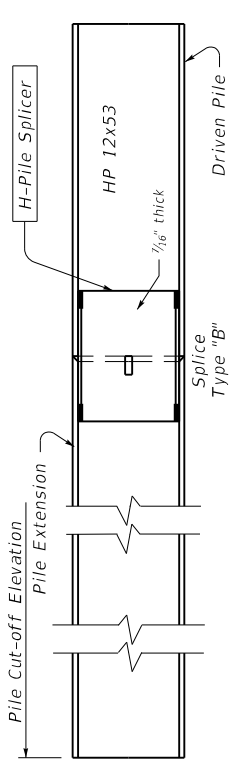
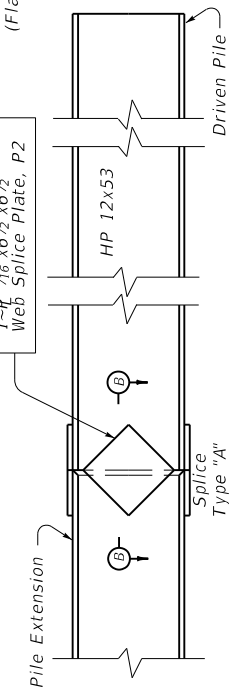
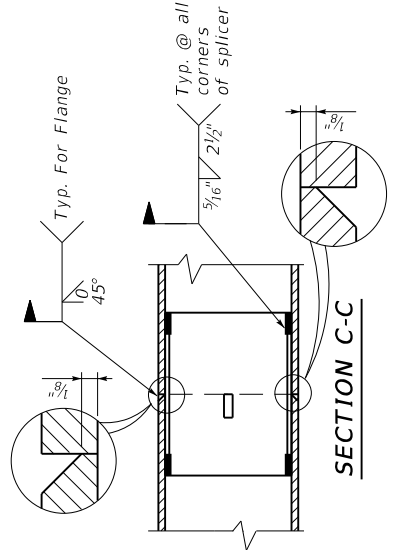
NOTE:
Bevel flanges and web of pile extension on 1:1 bevel as shown and employ conventional butt weld.



SECTION B-B
(Flange Not Shown)



SECTION C-C



GENERAL NOTES

- SPECIFICATIONS:** Kentucky Department of Highways Standard Specifications for Road and Bridge Construction, current edition.
- MATERIALS:** Ensure structural steel piles conform to A.S.T.M. A709 Grade 50, current Specifications.
- SPLICE PLATES:** Ensure all pile splicing options conform to A.S.T.M. A709 Grade 50, current Specifications. In lieu of Splice Option "A" or Splice option "B", splice plates may be flame cut from HP12x53 sections. If flange sections are used, the portion cut at the web must be turned outside in order to obtain a tight fit. Grind the edges smooth prior to welding.
- SPLICE OPTION "B":** The pile splicer shown in the details for Splice Option "B" may be Champion H-Pile Splicer, Model HP 30000, or an approved equal. Ensure the splicer is in accordance to the manufacturer's recommendations and subject to the Engineer's approval.
- FIELD WELDS:** Ensure field welding material and workmanship for all piling conforms to the current Joint Specifications ANSI/AASHTO/AWS D1.5 Bridge Welding Code. Splice piles as indicated above only when driven below cut-off elevation.
- PAYMENT:** Payment for the piles in accordance with plans and specifications will be made at the contract price per linear foot.
- PAINT:** No painting is required on steel piles.
- MILL TEST REPORTS:** Furnish mill test reports in triplicate to the Department showing that all materials furnished conform to the Specifications.

KENTUCKY DEPARTMENT OF HIGHWAYS	
HP12x53 Steel Pile	
STANDARD DRAWING NO. BPS-003-09	DATE 02-26-20
SUBMITTED BY: [Signature]	APPROVED BY: [Signature]
REGISTERED PROFESSIONAL ENGINEER	

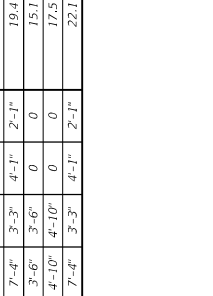
WING BILL OF REINFORCEMENT

SUPERSTRUCTURE HEIGHT SDH = Beam+Pad Height +4(haunch+slab) (if applicable)	CAP BILL OF REINFORCEMENT					32'-0" BRIDGE WIDTH					24'-0" BRIDGE WIDTH					16'-0" BRIDGE WIDTH									
	MARK	TYPE	NO.	SIZE	LENGTH	MARK	TYPE	NO.	SIZE	LENGTH	MARK	TYPE	NO.	SIZE	LENGTH	MARK	TYPE	NO.	SIZE	LENGTH	MARK	TYPE	NO.	SIZE	LENGTH
H1	A1e	14s	22	5	11'-0"	A1e	14s	29	5	11'-0"	A1e	14s	36	5	11'-0"	A4e	Str.	12	5	4'-0"	A4e	Str.	12	5	4'-0"
	A2e	Str.	9	8	22'-9"	A2e	Str.	9	8	30'-9"	A2e	Str.	9	8	38'-9"	A5e	Str.	8	5	3'-2"	A5e	Str.	8	5	3'-2"
	A3e	Str.	4	5	22'-9"	A3e	Str.	4	5	30'-9"	A3e	Str.	4	5	38'-9"	A6e	Str.	4	6	3'-2"	A6e	Str.	4	6	3'-2"
H2	A1e	14s	24	5	11'-0"	A1e	14s	30	5	11'-0"	A1e	14s	38	5	11'-0"	A4e	Str.	20	5	4'-8"	A4e	Str.	20	5	4'-8"
	A2e	Str.	9	8	25'-3"	A2e	Str.	9	8	33'-5"	A2e	Str.	9	8	41'-5"	A5e	Str.	12	5	4'-6"	A5e	Str.	12	5	4'-6"
	A3e	Str.	4	5	25'-3"	A3e	Str.	4	5	33'-5"	A3e	Str.	4	5	41'-5"	A6e	Str.	4	6	4'-6"	A6e	Str.	4	6	4'-6"
H3	A1e	14s	29	5	11'-0"	A1e	14s	36	5	11'-0"	A1e	14s	43	5	11'-0"	A4e	Str.	28	5	5'-11"	A4e	Str.	28	5	5'-11"
	A2e	Str.	9	8	30'-5"	A2e	Str.	9	8	38'-5"	A2e	Str.	9	8	46'-5"	A5e	Str.	16	5	7'-0"	A5e	Str.	16	5	7'-0"
	A3e	Str.	4	5	30'-5"	A3e	Str.	4	5	38'-5"	A3e	Str.	4	5	46'-5"	A6e	Str.	4	6	7'-5"	A6e	Str.	4	6	7'-5"

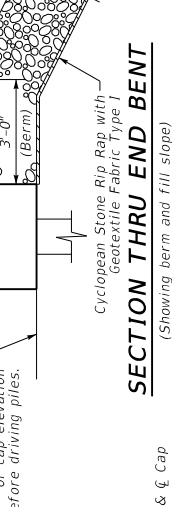
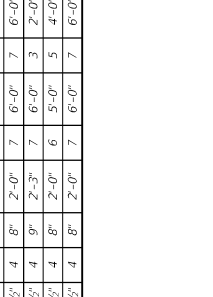
PILE LOAD SIZE	DIMENSIONS												QUANTITIES					
	NO.	PE	PS	A	B	C	D	E	F	G	H	WX	WV	WU	WL	CONCRETE (CY.)	STEEL (LBS.)	
H1	92	3	3'-6 1/2"	8'-0"	16'-0"	3 1/2"	4	9"	2'-3"	7	6'-0"	2	2'-3"	3	3'-6"	9.8	991	
H2	87	4	2'-4 1/2"	7'-0"	21'-0"	2 1/2"	3	7"	1'-2"	6	5'-0"	5	4'-0"	3	25'-9"	12.2	1175	
H3	107	4	3'-4 1/2"	8'-0"	24'-0"	4 1/2"	4	8"	2'-0"	7	6'-0"	7	6'-0"	4	30'-9"	16.8	1527	
24	H1	97	4	3'-6 1/2"	8'-0"	24'-0"	3 1/2"	4	9"	2'-3"	7	6'-0"	2	3'-6"	0	12.4	1297	
	H2	99	5	2'-10 1/2"	7'-0"	28'-0"	2 1/2"	3	10"	1'-8"	6	5'-0"	5	4'-0"	3	33'-9"	14.8	1469
	H3	122	5	3'-4 1/2"	8'-0"	32'-0"	4 1/2"	4	8"	2'-3"	7	6'-0"	7	6'-0"	4	38'-9"	19.4	1833
32	H1	103	5	3'-6 1/2"	8'-0"	32'-0"	3 1/2"	4	9"	2'-3"	7	6'-0"	3	2'-0"	2	39'-1"	15.1	1604
	H2	109	6	3'-4 1/2"	7'-0"	35'-0"	4 1/2"	4	8"	2'-0"	6	5'-0"	5	4'-0"	3	41'-9"	17.5	1787
	H3	133	6	3'-4 1/2"	8'-0"	40'-0"	4 1/2"	4	8"	2'-0"	7	6'-0"	7	6'-0"	4	46'-9"	22.1	2139

*Adjust 9" as necessary for rolled beam superstructure

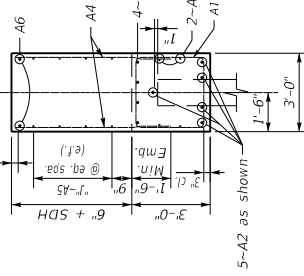
SECTION A-A



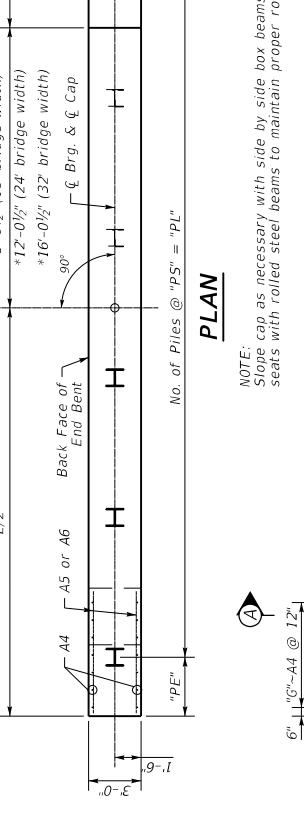
SECTION B-B



PLAN



ELEVATION



NOTES:
 1) Conform to KYTC Standard Specifications, Current Edition.
 2) Concrete to be Class "C" 3500 psi.
 3) Rebar to be epoxy coated A615 Grade 60.
 4) Maintain 2" clear cover to reinforcement unless otherwise noted.
 5) End Bents are designed for the maximum span of the following steel and concrete beams as shown in the current standards:
 H1 - B12, CB12, B17, CB17, B21 or rolled steel beams up to 16' nominal depth.
 H2 - CB21, B27, CB27, B33 or rolled steel beams up to 24' nominal depth.
 H3 - CB33, B42, CB42 or rolled steel beams up to 36' nominal depth.
 6) Piles may be HP12x53 or 16" Steel Pipes with 1/2" wall thickness.
 7) Piles driven to rock must be driven to Refusal. Friction Piles must be driven to (Pile Load/0.4) using the Gates Method.
 8) Pile load given is Factored Strength Load.
 9) Piles must be driven 10' into existing ground or to refusal on bedrock. Piles must be driven 10' into existing ground or to refusal on bedrock. A minimum pile length of 10' is required in all circumstances.
 10) Contractor shall provide a hammer capable of driving the piling to refusal or capacity without encountering excessive blow counts or damaging the pile. Contractor shall be responsible for all damaged piling.

QUANTITIES

CONCRETE (CY.)

STEEL (LBS.)

FIELD BENT

END BENT

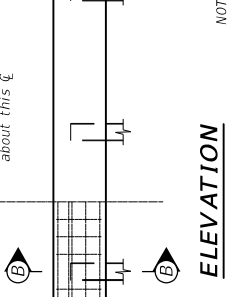
KENTUCKY
 DEPARTMENT OF HIGHWAYS

PILE END BENT
 0° SKEW

STANDARD DRAWING NO. BSE-001
 SUBMITTED BY: [Signature]
 APPROVED BY: [Signature]

02-26-20
 02-26-20

A1 Bar
 ~Size #5~



6" "G"-A4 @ 12"
 "H"
 A6
 A5
 Field Bend (if necessary)
 1/2" expansion joint material (Typ.)
 Mandatory Construction joint for side by side beams with rolled steel beams are set and tensioning rods are tightened (typ. each wing).
 "WL"
 "WW"
 "HDS + 6"
 "W X"
 3'-0"
 "PE"
 "L"
 "A"
 2'-0" "E"-A1 @ 12"
 "F"
 "B"-A1 @ "C" = "D"